

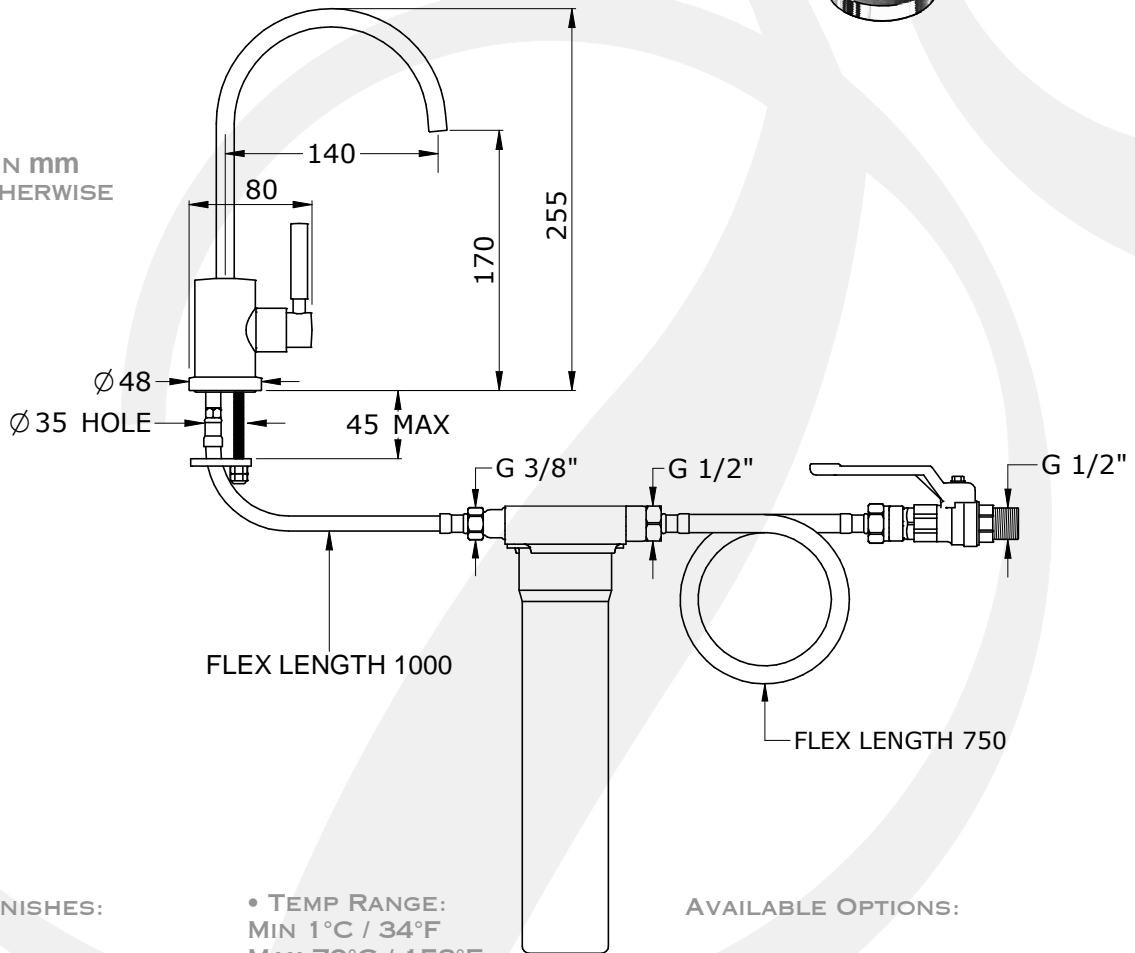
• SPECIFICATION •

• 1601 - CONTEMPORARY MINI FILTRATION TAP

- HANDCRAFTED IN THE UK
- 1/4 TURN CERAMIC DISC FLOW CONTROL
- VERNIER INSERT FOR ACCURATE HANDLE ALIGNMENT
- STAINLESS STEEL FILTER HOUSING
- SWISS MADE KATADYN FILTER
- FLOW REGULATED FILTRATION FOR OPTIMUM PERFORMANCE
- FILTERS DOWN TO 0.2 MICRONS
- ACTIVATED CARBON CORE REDUCES CHLORINE, ODOUR AND BAD TASTE
- HEAVY METAL REMOVAL
- FILTER REPLACEMENT EVERY 6 MONTHS RECOMMENDED



ALL UNITS IN mm
UNLESS OTHERWISE
STATED



AVAILABLE FINISHES:

- CHROME
- NICKEL
- PEWTER
- POLISHED BRASS
- SATIN BRASS
- AGED BRASS
- GOLD
- ENGLISH BRONZE

• TEMP RANGE:
MIN 1°C / 34°F
MAX 70°C / 158°F

• RECOMMENDED
WORKING PRESSURE:
MIN 1BAR / 15PSI
MAX 5BAR / 75PSI

• PACKED WEIGHT:
3.1 KG

AVAILABLE OPTIONS:

- MATCHING SOAP DISPENSERS